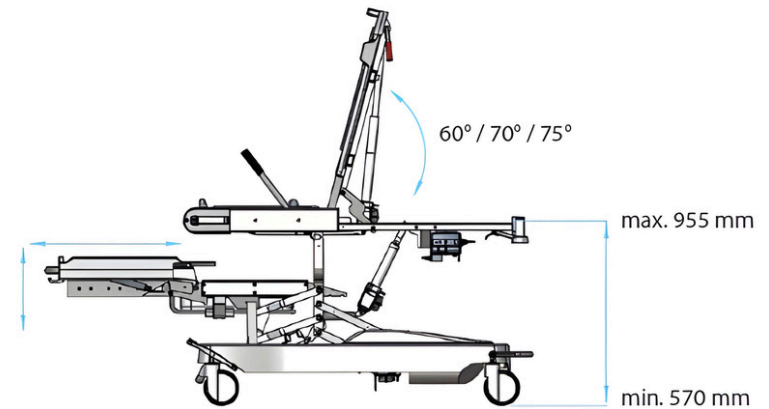


Optima Birthing Bed



2-Motor & 4-Motor models

The Optima Birthing Bed is tailored for modern maternity care, delivering ergonomic versatility and streamlined functionality throughout all stages of labour. Designed with ergonomic precision, it supports mothers, midwives, and obstetricians alike, enabling multiple key delivery and birthing positions within a single, highly adaptable unit.

Two configurations—2-motor, and 4-motor—provide scalable clinical flexibility. The 4-motor model features fully electric adjustments for height, backrest, leg section, and Trendelenburg, while still offering manual controls for leg movement, tilt, and fast-release backrest. The 2-motor version provides electric lift and backrest with manual leg section and tilt control.

Ease of use is enhanced by the handset on electric models, and manual Trendelenburg capabilities (up to 12°) also ensure clinical adaptability. The lightweight yet stable leg section, along with the entire design, supports more efficient operation in fast-paced birthing suites. The bed frame is CE-marked and MDR-compliant, with central locking and a lift system that supports up to 230 kg across all options.

Code	Total Width	Total Length	Height Adj	Patient Surface Width	SWL
100000011	103cm	152-211cm	59-95.5cm	78cm	230kg
100000009	100cm	152-211cm	58-95.5cm	78cm	230kg

Code	Trendelenburg	Back Adj	Leg Adj	Hand Control	Castors	Bed Weight
100000011	12°	0-70°	-	Yes	15 cm, central locking with brake bar	118kg
100000009	12°	0-75°	0-16°, 0-25cm	-	15 cm, central locking with brake bar	165kg

Configuration

100000011: Birthing Bed Optima 2 Motor - Inc. mattress

100000009: Birthing Bed Optima 4 Motor - Inc. mattress



Accessories	Code
Foot rests	A42559000
Patient Control Panel & Under Bed Light - 4 Motor Option	A43192000
PCP, Reading Light & Under Bed Light - 2 Motor Option	A42964800
Infusion Rod 4-Hooks	100000499
Drainage Bag Holder	A41916000
Squatting Bar	A42749500
Attendant Control Panel - 4 Motor Option	A42471700
Attendant Control Panel - 2 Motor Option	A42964600

 **Mattress included as standard.**



Controls

Clinician handset included as standard however the Attendant Control Panel (optional extra) is used with advanced delivery and patient care beds in which the positioning of a patient must be carefully controlled by medical staff. The ACO panel blocks the handset functions that may be inappropriate, or even dangerous to the patient.

Optional separate footswitch controls back section and bed height adjustments.

Easily detachable knee crutches included as standard.

The leg section can be adjusted via height and tilt. The tilt is useful when fine adjusting the foot supports to an optimal angle for the patient. The 12 Litre sliding debris bowl can also be removed and positioned as required.

Comfort

Both knee crutches and squatting bar can be attached to the seat section with the unique patented locking mechanism or to the leg section with a plug-in system, offering more freedom for different positioning.

Electrical and manual Trendelenburg improve patient safety and position to (12o).

Additional squatting bar optimises gravity and helps widen the pelvic opening making a more comfortable labour. Lateral position allows minimal pressure and maximises blood flow to the uterus and the baby. This provides an ergonomic position for mothers of different sizes. Kneeling position aids the reduction of pressure on the diaphragm and improves blood supply to the contracting muscles.

Positioning

Ergonomic foot section extends bed by up to 25cm and slides under the bed when not in use and multiple delivery positions in a single unit offers a greater level of comfort for the mother.

Ultra light yet stable, the leg section is easy to manoeuvre and slides in under the bed together with the mattress, making work flow faster and more ergonomic on all models.

Emergency release of the backrest for quick lowering of the section in the event of an emergency.

150mm diameter castors with central braking and steering facility operated from head-end for ease of use when portering.