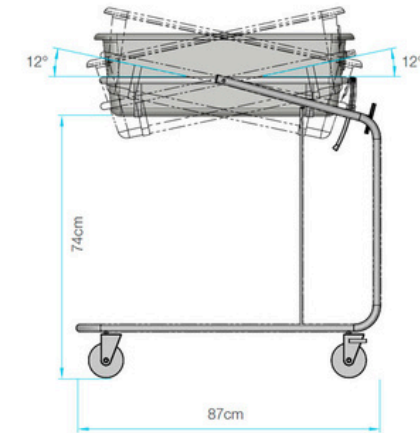
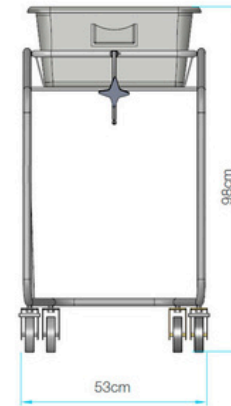


Baby Crib



Baby Crib 1000.000.380

Infant bed Baby Crib is a handy aid for the nursing of newborns. The crib can be positioned across the bed of the mother, thus allowing convenient access to the baby. It features a sturdy chrome-plated frame that is CE-marked and MDR compliant, with a stackable design for efficient transportation and storage.

Comfort and hygiene are central to the design. The cot includes a removable acrylic cradle and a fire-resistant polyurethane mattress covered with an Oeko-Tex certified, bi-elastic antimicrobial polyester. The zipper is protected by a drip flap to prevent moisture ingress, and the mattress cover is machine washable for easy cleaning.

Ease of handling is ensured by 100 mm castors, two of which are lockable, and each cot offers hydraulic Trendelenburg and reverse Trendelenburg tilting of $\pm 12^\circ$, controlled via a manual lever.

Safety is prioritized through regulatory compliance with Regulation (EU) 2017/745.

Code	Total Width	Total Length	Total Height	Mattress Width	SWL
1000.000.380	87cm	53cm	98cm	39.2cm	15kg

Code	Trendelenburg	Anti Trendelenburg	Castors	Crib Weight
1000.000.380	12°	12°	Ø100 mm (2 lockable)	11kg

Configuration

1000.000.380: Standard Configuration inc, Mattress, Plastic Case & Wire Basket

