

# Podiatry Chairs



## BAC06E/BTC06E

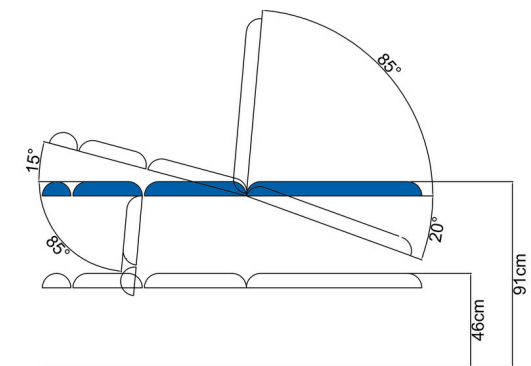
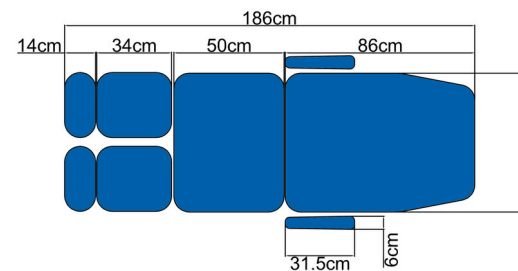
The Medi-Plinth Podiatry Chair is engineered for clinical precision and patient comfort. Offered in both standard and tilting versions, it enhances procedural access by allowing a natural seated posture with raised knees, improving ergonomics for both patient and clinician.

Constructed around Linak “High Reliability” electric actuators, the chair supports up to 260kg and delivers smooth, dependable height adjustment.

It includes gas-spring-assisted back and foot sections for intuitive positioning, retractable rubber castors and an adjustable foot to maintain stability on uneven floors, and MRSA-resistant, antibacterial, fire-retardant upholstery with an extra-low entry height for seamless wheelchair transfers. The chair features adjustable armrests and extending divided leg supports.

Manufactured in the UK to CE certification standards

Code	Mechanism	SWL	Surface	Footrest Lowers	Backrest Raises/Lowers
BAC06E	Electric	260kg	186 x 63 cm	-85°	-20° to +85°
BTC06E	Electric	260kg	186 x 63 cm	-85°	-20° to +85°



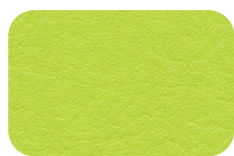
Accessories	Code
Footswitch	FO01
Extra Wide Upholstery (75cm)	EW1
Breathing Hole	BR02
Foot Protection Cover	FP01
Detachable Head Rest	DHR01
Adjustable Arm Rests	DE01
Tilting Seat	EB02
Electric Backrest	EB01
Paper Roll Holder	PR01



## 14 Standard Colours



BEIGE



CITRUS GREEN



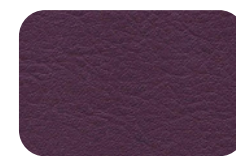
APPLE MINT



CANDY



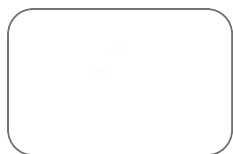
RASPBERRY CRUSH



DAMSON



PILLAR BOX RED



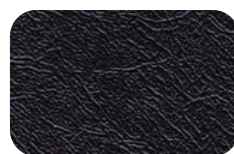
WHITE



ASH GREY



GUN METAL GREY



BLACK



DARK BLUE



MID BLUE



SKY BLUE