

Drop End Plinths



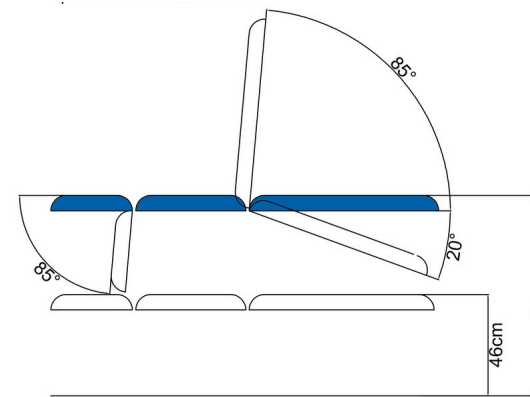
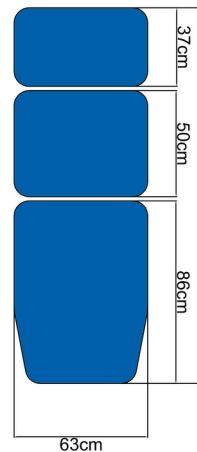
DE03E/DE03H

The Drop End 3-Section Plinth offers remarkable functionality in tight clinical environments by combining compact design with advanced positioning capabilities. Functioning as both a traditional three-section couch and a chair, this model allows patients to be seated from the front or side.

Available in both electric and hydraulic mechanisms, the plinth safely supports up to 260kg (electric) or 225kg (hydraulic). This high payload capacity ensures suitability for a wide range of patient needs. Key standard features include retractable rubber castors for easy mobility, adjustable feet to compensate for uneven flooring, MRSA-resistant, antibacterial and fire-retardant upholstery, a gas-spring assisted back and foot section for smooth positioning, and a low entry height that supports convenient wheelchair transfers.

Constructed in the UK to CE standards and equipped with world-class Linak "High Reliability" actuators.

Code	Mechanism	SWL	Surface	Footrest Adj	Backrest Adj
DE03E	Electric	260kg	186 x 63 cm	-85°	-20° to +85°
DE03H	Hydraulic	225kg	186 x 63 cm	-85°	-20° to +85°



Accessories	Code
Footswitch	FO01
Extra Wide Upholstery (75cm)	EW1
Breathing Hole	BR02
Foot Protection Cover	FP01
Detachable Head Rest	DHR01
Adjustable Arm Rests	DE01
Tilting Seat	EB02
Electric Backrest	EB01
Paper Roll Holder	PR01
Stainless Steel Accessory Rails	SSAR01



14 Standard Colours



BEIGE



CITRUS GREEN



APPLE MINT



CANDY



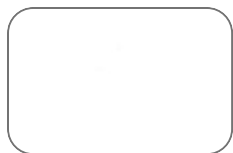
RASPBERRY CRUSH



DAMSON



PILLAR BOX RED



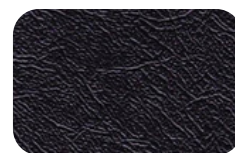
WHITE



ASH GREY



GUN METAL GREY



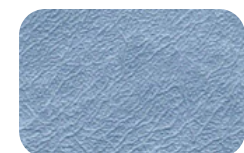
BLACK



DARK BLUE



MID BLUE



SKY BLUE