

# Multi-Purpose Plinths



## MP03E/MP03H

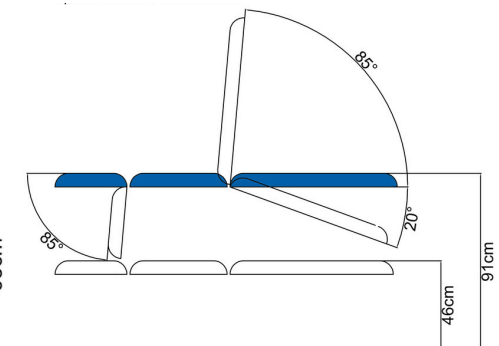
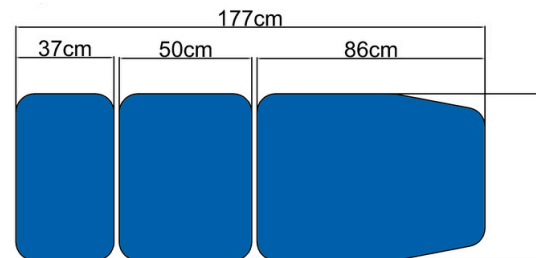
The Multi-Purpose Plinth is a versatile 4-in-1 treatment couch designed for modern clinical environments, suitable for phlebotomy, minor surgery, gynaecology, and general examination procedures. Featuring a foot section that drops to 85°, it enables compact seating in confined spaces and supports a seamless transition into a chair position.

Standard features include retractable rubber castors, an adjustable foot for uneven flooring, gas-spring assisted head and foot sections, and anti-bacterial, MRSA-resistant, fire-retardant upholstery for infection control and patient comfort.

The delivery includes a phlebotomy arm, a pair of gynaecology stirrups, and a quick-release plaster treatment table, ensuring immediate operational adaptability for diverse clinical workflows.

Manufactured in the UK to CE certification standards.

Code	Mechanism	SWL	Surface	Footrest Adj	Backrest Adj
MP03E	Electric	260kg	177 x 63 cm	-85°	-20° to +85°
MP03H	Hydraulic	225kg	177 x 63 cm	-85°	-20° to +85°



Accessories	Code
Footswitch	FO01
Extra Wide Upholstery (75cm)	EW1
Breathing Hole	BR02
Foot Protection Cover	FP01
Detachable Head Rest	DHR01
Paper Roll Holder	PR01
Tilting Seat	EB02
Electric Backrest	EB01



Find us on NHS Supply Chain Catalogue



## 14 Standard Colours



BEIGE



CITRUS GREEN



APPLE MINT



CANDY



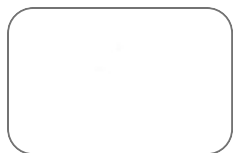
RASPBERRY CRUSH



DAMSON



PILLAR BOX RED



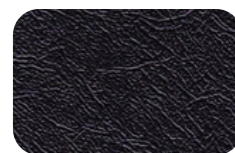
WHITE



ASH GREY



GUN METAL GREY



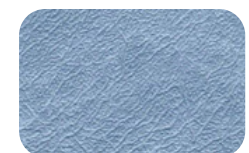
BLACK



DARK BLUE



MID BLUE



SKY BLUE